

**THE SYMBOL
OF
EXCELLENCE
SINCE 1959**

**Distilled
in
Glass**



**RESIDUE - FREE SOLVENTS
FROM BURDICK & JACKSON**

Purified to the exacting requirements of gas chromatography, liquid-liquid chromatography and spectrophotometric analysis.

- Acetone
- Acetonitrile
- Benzene
- Butanol-1
- Butanol-2
- Butyl Chloride
- Butyl Formate
- Carbon Tetrachloride
- Chloroform
- Cyclohexane
- Cyclopentane
- o-Dichlorobenzene
- Dimethyl Acetamide
- Dimethyl Formamide
- Dimethyl Sulfoxide
- Dioxane
- 2-Ethoxyethanol
- Ethyl Acetate
- Ethyl Ether
- Heptane, 95-99°
- Hexadecane
- Hexane, 68-69°
- Isobutyl Alcohol
- Methanol
- 2-Methoxyethanol
- Methylene Chloride
- Methyl Ethyl Ketone
- Methyl Isobutyl Ketone
- N-Methylpyrrolidone
- n-Nonane
- Pentane
- Petroleum Ether, 30-60°
- beta-Phenethylamine
- Propanol-2
- Pyridine
- Tetrahydrofuran
- Toluene
- 2,2,4-Trimethylpentane, 99-100°
- o-Xylene

Ask for Bulletin BJ-25b/U.S. Agencies use F.S.S.

**BURDICK
& JACKSON
LABORATORIES, INC.** 616 726-3171

MUSKEGON, MICHIGAN 49442

Circle Reader Service Card No. 85

even more killing.)

Overpopulation has been aptly termed the "great ecological cop-out," for it provides us with such a comfortable excuse for our failure to tackle human problems such as hunger, poverty, and pollution. The main thrust of "zero population growth" is an utterly selfish one. Perhaps in the far future, humanity will achieve a population that it cannot afford to exceed. But right now, what we really need to solve our problems is not fewer people, but more minds and much bigger hearts.

DR. THOMAS A. SCHENACH
Research Chemist
U.S. Peroxygen Co.

Sir:

In your editorial in the February 1972 issue of *American Laboratory*, you state: "If, for example, the advocates of ZPG actively support equality and freedom of opportunity for women, blacks, Puerto Ricans, Indians, Orientals, Appalachians and others and the removal of abortion as a legal matter, as well as realistic sex education and family planning services, they might eliminate the ZPG problem completely, if there is one." Perhaps you are not aware that there is a national organization, Zero Population Growth, Inc., whose goals you have described fairly well in the above sentence. As acting coordinator of Tucson ZPG last year, I received their publication: *ZPG National Reporter*. For more information on this, their address is: Zero Population Growth, 4080 Fabian Way, Palo Alto, Calif. 94303.

JACK RYAN, Ph.D.
The Institute for Tomorrow

Sir:

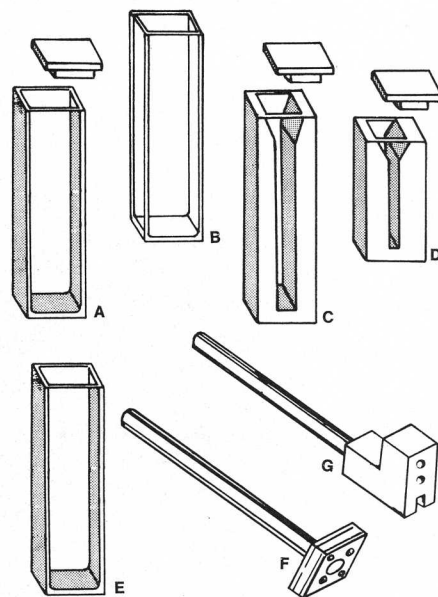
I am sure you can expect some "heat" for your editorial in the September issue of *American Laboratory*. For whatever it is worth, I think your points are extremely well taken. Congratulations!
DEAN O. CLIVER, Ph.D.
Madison, Wis.

Sir:

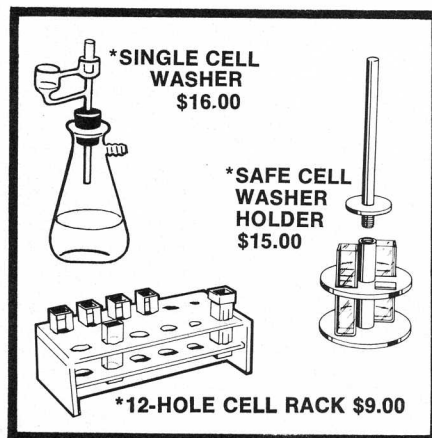
One of the largest problems with

PRECISION CELLS

15th Year of
Highest Quality, Low Prices,
Fast Delivery



- A TYPE 1H QUARTZ**
Standard silica cell, 3.5 ml, 10mm light path, teflon cover..... \$22.00
- B TYPE 3H QUARTZ**
Fluorescent type, 3.5 ml, 10mm light path..... \$37.00
- C TYPE 9H QUARTZ**
Semi-micro, 1.4 ml, 10mm light path, 4mm between walls, teflon cover..... \$25.00
- D TYPE 17TH QUARTZ**
micro cell 25mm high, .4ml, 10mm light path, 2mm between walls, Teflon cover..... \$25.00
- E TYPE 5G (GLASS)**
Glass cell. Capacity 3.5 ml, 10mm light path..... \$ 8.00
- F CUVETTE ADD-A-MIXER**..... \$ 2.50
- G SEMI-MICRO CUVETTE ADD-A-MIXER**..... \$ 3.50



520 Cuvettes in Glass, Special Glass, Quartz Matched Sets and Special orders.

ORDER FROM THIS AD OR FROM OUR CATALOG 72-2. NO CATALOG? PLEASE WRITE FOR YOUR COPY.

***YOUR CHOICE OF ONE INCLUDED WITHOUT CHARGE WITH ALL ORDERS TOTALING \$190.00 OR MORE.**

PRECISION CELLS, INC.

560 SOUTH BROADWAY
HICKSVILLE, N.Y. 11801
516-938-7772

Circle Reader Service Card No. 18